



SBFS020A – JANUARY 1978 – REVISED JUNE 2004

Precision Quadrature Oscillator

FEATURES

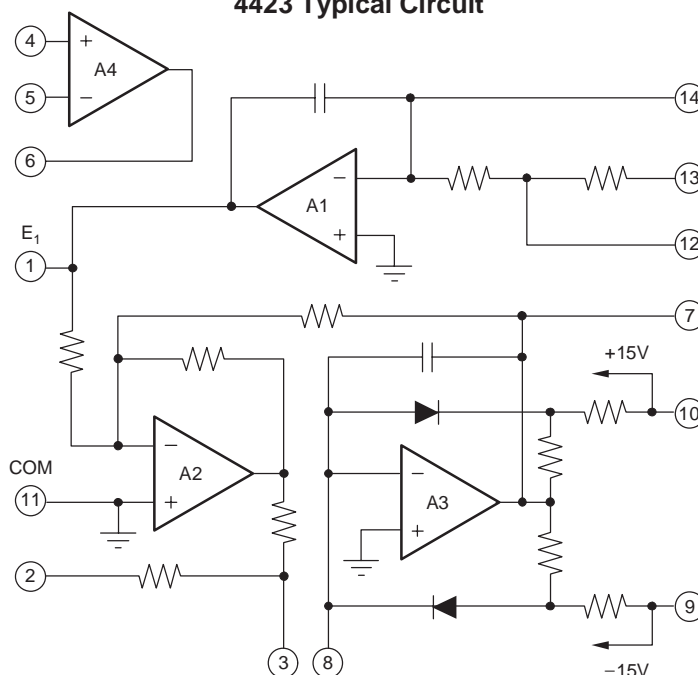
- Sine and Cosine Outputs
- Resistor-Programmable Frequency
- Wide Frequency Range: 0.002Hz to 20kHz
- Low Distortion: 0.2% max up to 5kHz
- Easy Adjustments
- Small Size
- Low Cost

DESCRIPTION

The Model 4423 is a precision quadrature oscillator. It has two outputs 90 degrees out of phase with each other, thus making sine and cosine wave outputs available at the same time. The 4423 is resistor-programmable and is easy to use. It has low distortion (0.2% max up to 5kHz) and excellent frequency and amplitude stability.

The Model 4423 also includes an uncommitted operational amplifier that may be used as a buffer, level shifter, or as an independent operational amplifier. The 4423 is packaged in a versatile, small, low-cost DIP package.

4423 Typical Circuit



Please be aware that an important notice concerning availability, standard warranty, and use in critical applications of Texas Instruments semiconductor products and disclaimers thereto appears at the end of this data sheet.

All trademarks are the property of their respective owners.

PRODUCTION DATA information is current as of publication date. Products conform to specifications per the terms of Texas Instruments standard warranty. Production processing does not necessarily include testing of all parameters.



This integrated circuit can be damaged by ESD. Texas Instruments recommends that all integrated circuits be handled with appropriate precautions. Failure to observe proper handling and installation procedures can cause damage.

ESD damage can range from subtle performance degradation to complete device failure. Precision integrated circuits may be more susceptible to damage because very small parametric changes could cause the device not to meet its published specifications.

ORDERING INFORMATION

PRODUCT	PACKAGE-LEAD	PACKAGE DESIGNATOR ⁽¹⁾	SPECIFIED TEMPERATURE RANGE	PACKAGE MARKING	ORDERING NUMBER	TRANSPORT MEDIA, QUANTITY
4423	PDIP-14	NSQ	0°C to +70°C	4423P	4423P	Tube, 50

⁽¹⁾ For the most current package and ordering information, see the package option addendum located at the end of this data sheet.

ABSOLUTE MAXIMUM RATINGS

over operating free-air temperature range unless otherwise noted⁽¹⁾

	4423	UNIT
Supply voltage	±18	V
Output short to common	Continuous	
Operating temperature	–25 to +85	°C
Storage temperature	–55 to +125	°C
Lead temperature (soldering, 10s)	300	°C

⁽¹⁾ Stresses beyond those listed under *Absolute Maximum Ratings* may cause permanent damage to the device. These are stress ratings only, and functional operation of the device at these or any other conditions beyond those indicated under *Recommended Operating Conditions* is not implied. Exposure to absolute-maximum-rated conditions for extended periods may affect device reliability.

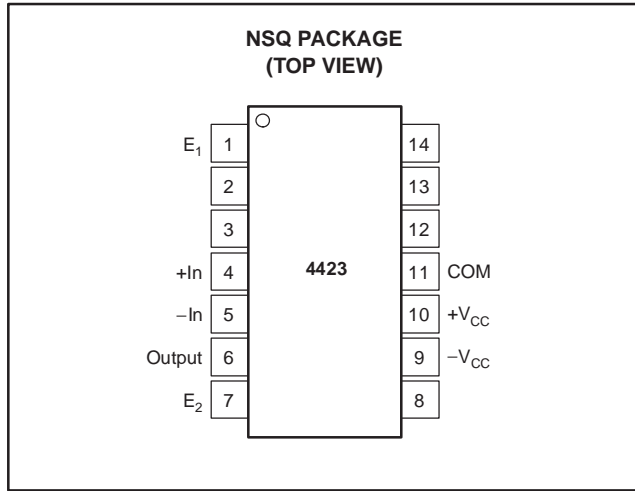
ELECTRICAL CHARACTERISTICS

Specifications typical at +25°C and ±15VDC power supply, unless otherwise noted.

PARAMETER	TEST CONDITIONS	4423P			UNITS
		MIN	TYP	MAX	
Frequency					
Initial frequency	No adjustments	20.0	21.0	22.0	kHz
Frequency range	Using two resistors only	2		20	kHz
	Using two resistors and two capacitors	0.002		20k	Hz
Accuracy of frequency equation ⁽¹⁾			±1	±5	%
Stability vs temperature			±50	±100	ppm/°C
Quadrature phase error			±0.1		degrees
Distortion					
Sine output (pin 1)	0.002Hz to 5kHz			0.2	%
	5kHz to 20kHz			0.5	%
Cosine output (pin 7)	0.002Hz to 5kHz		0.2		%
	5kHz to 20kHz		0.8		%
Distortion vs temperature			0.015		%/°C
Output					
Amplitude (sine)	At 20kHz	6.5	7	7.5	Vrms
	vs temperature		0.05		%/°C
	vs supply		0.4		V/V
Output current		1.5	5		mA
Output impedance				1	Ω
Uncommitted Op Amp					
Input offset voltage			1.5		mV
Input bias current			275		nA
Input impedance			1		MΩ
Open loop gain			90		dB
Output current		5			mA
Power Supply					
Rated supply voltage			±15		V
Supply voltage range		±12		±18	V
Quiescent current			±9	±18	mA
Temperature Range					
Specified		0		+70	°C
Operating		-25		+85	°C
Storage		-55		+125	°C

(1) May be trimmed for better accuracy.

PIN ASSIGNMENTS



Terminal Functions

TERMINAL NAME	NO.	DESCRIPTION
E ₁	1	Sine output
	2	Frequency adjustment
	3	Frequency adjustment
+In	4	Uncommitted op amp
-In	5	Uncommitted op amp
Output	6	Uncommitted op amp
E ₂	7	Cosine output
	8	Frequency adjustment
-V _{CC}	9	-15VDC
+V _{CC}	10	+15VDC
COM	11	Ground
	12	Frequency adjustment
	13	Frequency adjustment
	14	Frequency adjustment

TYPICAL CHARACTERISTICS

Specifications typical at +25°C and ±15VDC power supply, unless otherwise noted.

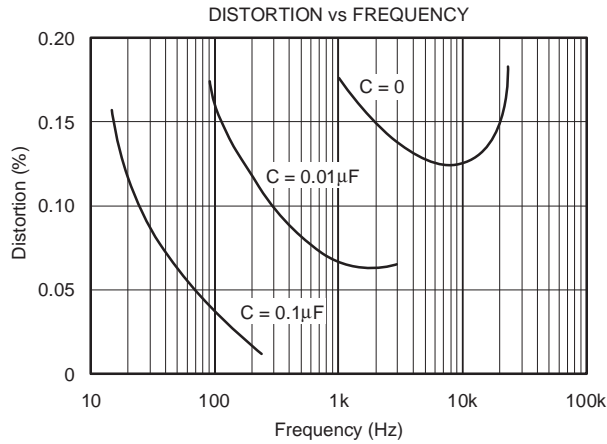


Figure 1

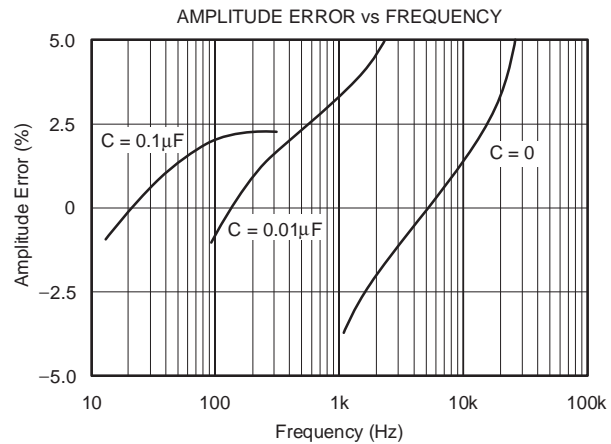


Figure 2

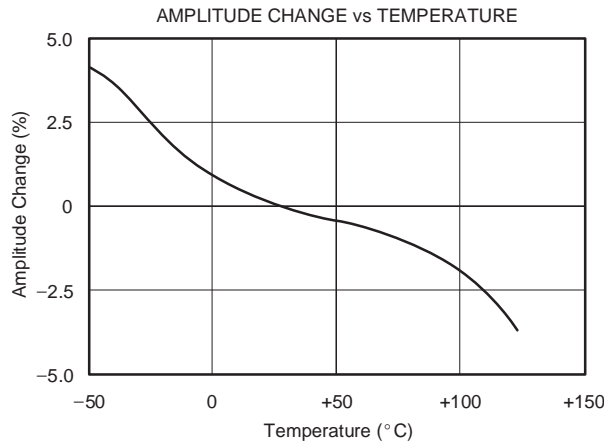


Figure 3

EXTERNAL CONNECTIONS

20kHz Quadrature Oscillator

The 4423 does not require any external component to obtain a 20kHz quadrature oscillator. The connection diagram is shown in Figure 4.

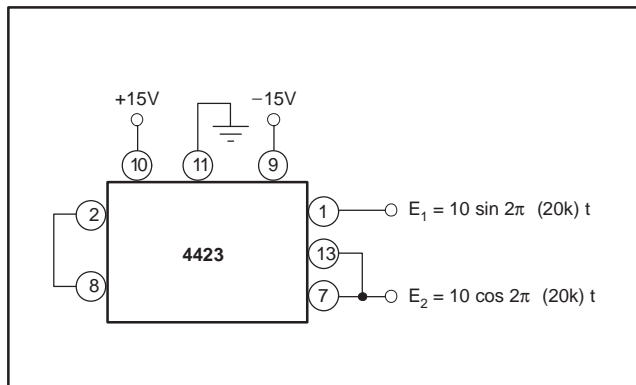


Figure 4.

Resistor-Programmable Quadrature Oscillator

For resistor-programmable frequencies in the 2kHz to 20kHz frequency range, the connection diagram is provided in Figure 5. Note that only two resistors of equal value are required. Resistor R can be expressed by Equation (1).

$$R = \frac{3.785f}{42.05 - 2f} \quad (1)$$

Where:

R is in kΩ,

f is in kHz.

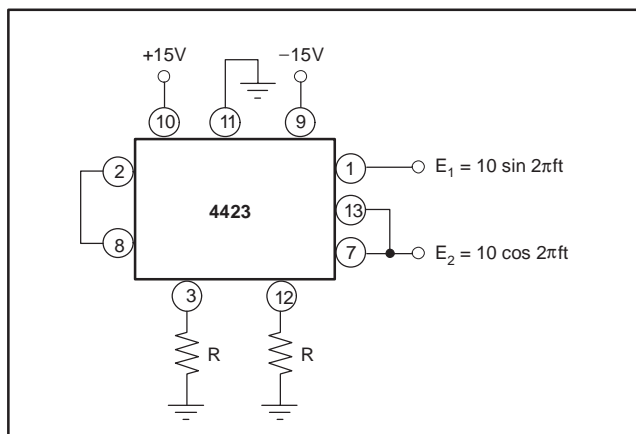


Figure 5.

Quadrature Oscillator Programmable to 0.002Hz

For oscillator frequencies below 2kHz, the use of two capacitors of equal value is recommended, as shown in Figure 6. The connections shown in Figure 6 can be used to obtain oscillator frequency outputs in the 0.002Hz to 20kHz range.

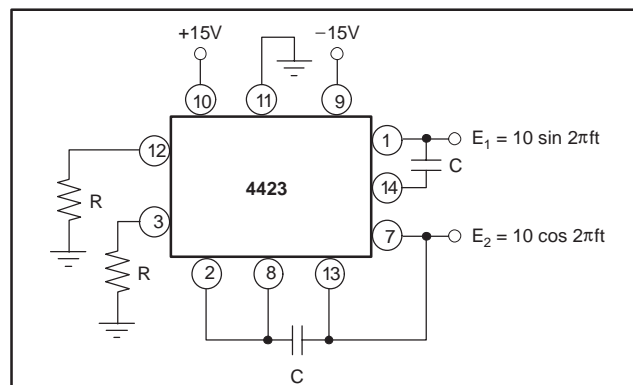


Figure 6.

Frequency f can be expressed by Equation (2).

$$f = \frac{42.05R}{(C + 0.001)(3.785 + 2R)} \quad (2)$$

Where:

f is in Hz.

C is in μF.

R is in kΩ.

For best results, the capacitor values shown in Table 1 should be selected with respect to their frequency ranges.

Table 1. Recommended Capacitor Values

f	20kHz to 2kHz	2kHz to 200Hz	200Hz to 20Hz
C	0	0.01μF	0.1μF
20Hz to 2Hz	2Hz to 0.2Hz	0.2Hz to 0.02Hz	0.02Hz to 0.002Hz
1μF	10μF	100μF	1000μF

After selecting the capacitor for a particular frequency, the value of the required resistor can be obtained by using the resistor selection curve shown in Figure 7 or by Equation (3).

$$R = \frac{3.785f(C + 0.001)}{42.05 - 2f(C + 0.001)} \quad (3)$$

Where:

R is in k Ω .

f is in Hz.

C is in μ F.

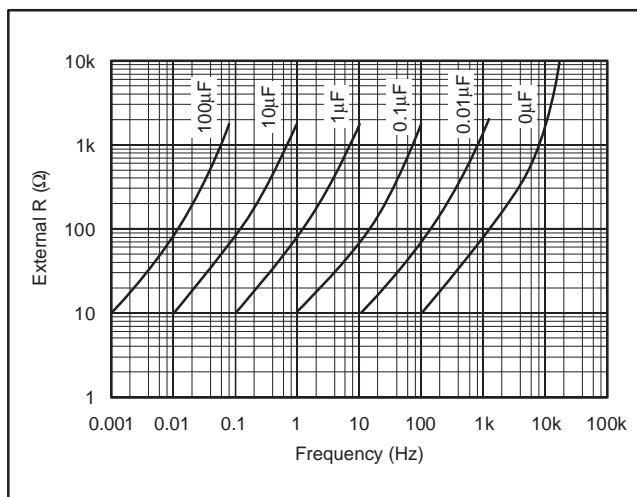


Figure 7.

RECOMMENDED CAPACITOR TYPES

There are various types of capacitors available for use. There are polarized (DC) capacitors and nonpolarized (AC) capacitors available. Of these two types, polarized capacitors cannot be used with the 4423 to set the frequencies.

Commonly-available nonpolarized capacitors include NPO ceramic, silver mica, Teflon, polystyrene, polycarbonate, mylar, and ceramic disc. A comparison of capacitor types is shown in Table 2.

Table 2. Comparison of Nonpolarized Capacitors

CAPACITOR TYPE	CAPACITANCE RANGE (μ F)	TEMPERATURE COEFFICIENTS (ppm/ $^{\circ}$ C)	DISSIPATION FACTOR (%)
NPO Ceramic	5pF to 0.1 μ F	30	0.05
Silver Mica	5pF to 0.047 μ F	60	0.05
Teflon	0.001 to 100	200	0.01
Polystyrene	0.001 to 500	100	0.03
Polycarbonate	0.001 to 1000	90	0.08
Metallized Teflon	0.001 to 100	60	0.1
Metallized Polycarbonate	0.001 to 1000	10	0.4
Mylar	0.001 to 1000	700	0.7
Metallized Mylar	0.001 to 2000	700	1
Ceramic Disc	5pF to 0.5 μ F	10,000	3

Choosing a capacitor to use with the 4423 depends mainly on the application, error budget, and cost budget. Note that the specifications of the 4423 do not include the error contribution of the external components. Errors sourced by external components normally have to be added to the 4423 specifications.

As a general selection criteria, TI recommends the use of Table 2. If the capacitor is found unsuitable due to its size, cost, or availability, then move down the list for the next best selection. In any case, do not choose or use any capacitors with dissipation factors greater than 1%. Such capacitors would stop 4423 oscillation.

DISSIPATION FACTOR (DF)

A capacitor can be modeled by an ideal capacitor in parallel with an internal resistor whose value depends on its dissipation factor (DF). Mathematically, internal resistor R is given by Equation (4).

$$R = \frac{1}{2\pi f C (DF)} \quad (4)$$

Where:

R is in Ω .

f is in Hz.

C is in farads.

For example, the DF of ceramic disc capacitors is on the order of 3%, which for a 0.01μF capacitor would be comparable to an internal resistor of 530kΩ at 1kHz. The 530kΩ value resistor is small enough to stop the 4423 oscillator from oscillating.

Some capacitor manufacturers use the terms *Power Factor* (PF) or *Q Factor* (Q) instead of dissipation factor. These terms are similar in meaning and are mathematically related by Equations (5) and (6).

$$(PF) = \frac{(DF)}{\sqrt{1 + (DF)^2}} \quad (5)$$

$$Q = \frac{1}{(DF)} \quad (6)$$

OSCILLATION AMPLITUDE

It takes a finite time to build up the amplitude of the oscillation to its final full-scale value. There is a relationship between the amplitude build-up time and the frequency. The lower the frequency, the longer the amplitude build-up time. For example, it typically takes

250 seconds at 1Hz, 30 seconds at 10Hz, 4 seconds at 100Hz, 400 milliseconds at 1kHz, and 40 milliseconds at 10kHz oscillator frequencies.

There are two methods available to shorten this normal amplitude build-up time. There is also a relationship between the amplitude build-up time and distortion at final amplitude value. When the amplitude build-up time is shortened, the distortion can become worse.

One method to shorten the amplitude build-up time is to connect a resistor between pin 3 and pin 14. The lower the value of this resistor, the shorter the time to build up amplitude of the oscillation. Conversely, the distortion of the output waveform worsens. For example, a 100kΩ resistor would shorten the amplitude build-up time, from 15 seconds to 1 second at 20kHz frequency, but the distortion could be degraded from typically 0.05% to 0.5%.

The other method is to momentarily insert a 1kΩ resistor via a reset switch between pin 3 and pin 14. The amplitude of oscillation is built up instantaneously when the reset switch is pushed. There will be no degradation of distortion with this method since the 1kΩ resistor does not remain in the circuit continuously.

PACKAGING INFORMATION

Orderable Device	Status ⁽¹⁾	Package Type	Package Drawing	Pins	Package Qty	Eco Plan ⁽²⁾	Lead/Ball Finish	MSL Peak Temp ⁽³⁾
4423P	NRND	PDIP	NSQ	14	25	TBD	Call TI	N / A for Pkg Type

⁽¹⁾ The marketing status values are defined as follows:

ACTIVE: Product device recommended for new designs.

LIFEBUY: TI has announced that the device will be discontinued, and a lifetime-buy period is in effect.

NRND: Not recommended for new designs. Device is in production to support existing customers, but TI does not recommend using this part in a new design.

PREVIEW: Device has been announced but is not in production. Samples may or may not be available.

OBSELETE: TI has discontinued the production of the device.

⁽²⁾ Eco Plan - The planned eco-friendly classification: Pb-Free (RoHS), Pb-Free (RoHS Exempt), or Green (RoHS & no Sb/Br) - please check <http://www.ti.com/productcontent> for the latest availability information and additional product content details.

TBD: The Pb-Free/Green conversion plan has not been defined.

Pb-Free (RoHS): TI's terms "Lead-Free" or "Pb-Free" mean semiconductor products that are compatible with the current RoHS requirements for all 6 substances, including the requirement that lead not exceed 0.1% by weight in homogeneous materials. Where designed to be soldered at high temperatures, TI Pb-Free products are suitable for use in specified lead-free processes.

Pb-Free (RoHS Exempt): This component has a RoHS exemption for either 1) lead-based flip-chip solder bumps used between the die and package, or 2) lead-based die adhesive used between the die and leadframe. The component is otherwise considered Pb-Free (RoHS compatible) as defined above.

Green (RoHS & no Sb/Br): TI defines "Green" to mean Pb-Free (RoHS compatible), and free of Bromine (Br) and Antimony (Sb) based flame retardants (Br or Sb do not exceed 0.1% by weight in homogeneous material)

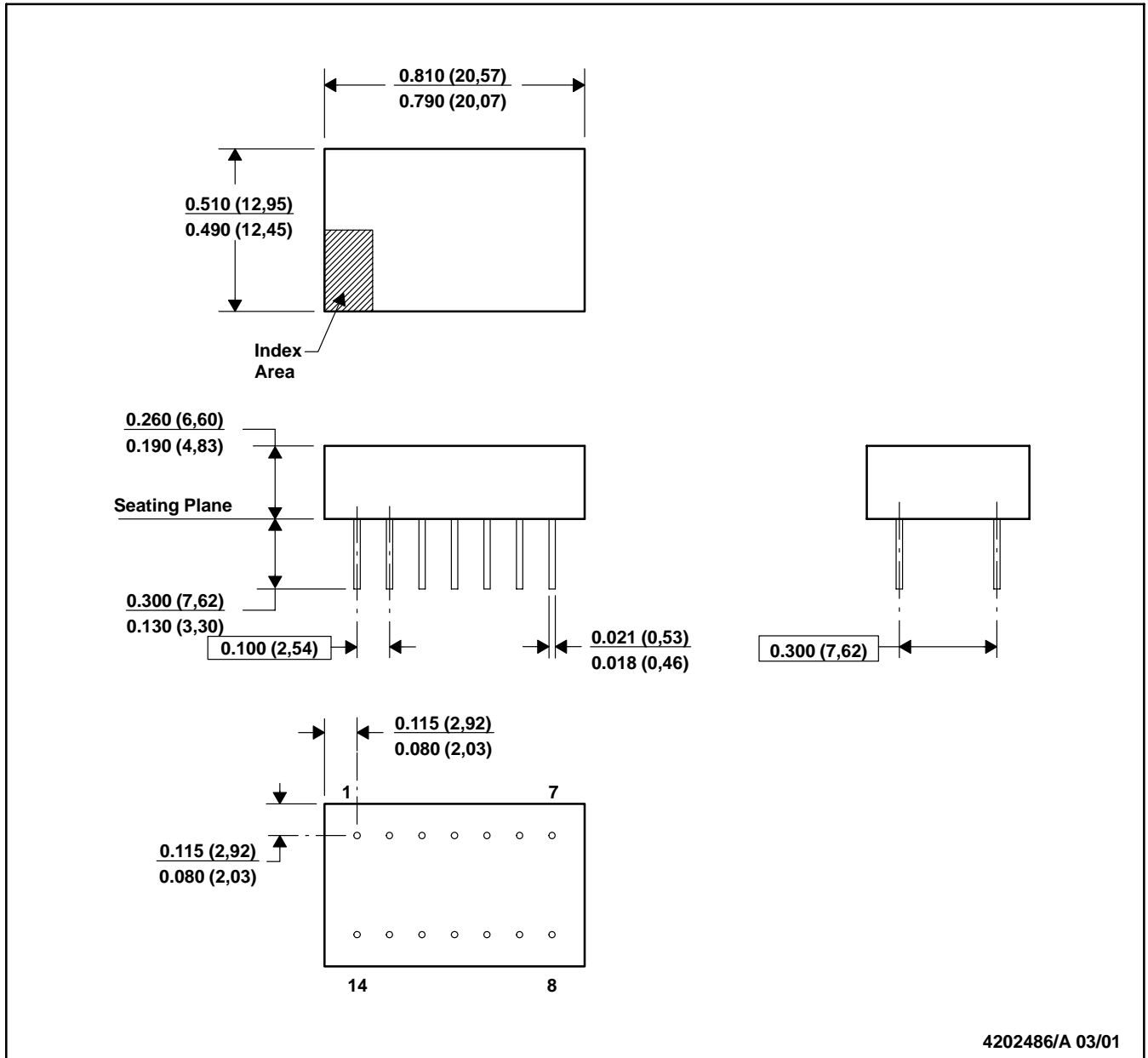
⁽³⁾ MSL, Peak Temp. -- The Moisture Sensitivity Level rating according to the JEDEC industry standard classifications, and peak solder temperature.

Important Information and Disclaimer:The information provided on this page represents TI's knowledge and belief as of the date that it is provided. TI bases its knowledge and belief on information provided by third parties, and makes no representation or warranty as to the accuracy of such information. Efforts are underway to better integrate information from third parties. TI has taken and continues to take reasonable steps to provide representative and accurate information but may not have conducted destructive testing or chemical analysis on incoming materials and chemicals. TI and TI suppliers consider certain information to be proprietary, and thus CAS numbers and other limited information may not be available for release.

In no event shall TI's liability arising out of such information exceed the total purchase price of the TI part(s) at issue in this document sold by TI to Customer on an annual basis.

NSQ (R-PDIP-P14)

PLASTIC DUAL-IN-LINE



- NOTES:
- A. All linear dimensions are in inches (millimeters).
 - B. This drawing is subject to change without notice.
 - C. Leads in true position within 0.010 (0,25) R @ MMC at seating plane.
 - D. Pin numbers shown for reference only. Numbers may not be marked on package.
 - E. A visual index feature must be located within the cross-hatched area.

IMPORTANT NOTICE

Texas Instruments Incorporated and its subsidiaries (TI) reserve the right to make corrections, modifications, enhancements, improvements, and other changes to its products and services at any time and to discontinue any product or service without notice. Customers should obtain the latest relevant information before placing orders and should verify that such information is current and complete. All products are sold subject to TI's terms and conditions of sale supplied at the time of order acknowledgment.

TI warrants performance of its hardware products to the specifications applicable at the time of sale in accordance with TI's standard warranty. Testing and other quality control techniques are used to the extent TI deems necessary to support this warranty. Except where mandated by government requirements, testing of all parameters of each product is not necessarily performed.

TI assumes no liability for applications assistance or customer product design. Customers are responsible for their products and applications using TI components. To minimize the risks associated with customer products and applications, customers should provide adequate design and operating safeguards.

TI does not warrant or represent that any license, either express or implied, is granted under any TI patent right, copyright, mask work right, or other TI intellectual property right relating to any combination, machine, or process in which TI products or services are used. Information published by TI regarding third-party products or services does not constitute a license from TI to use such products or services or a warranty or endorsement thereof. Use of such information may require a license from a third party under the patents or other intellectual property of the third party, or a license from TI under the patents or other intellectual property of TI.

Reproduction of TI information in TI data books or data sheets is permissible only if reproduction is without alteration and is accompanied by all associated warranties, conditions, limitations, and notices. Reproduction of this information with alteration is an unfair and deceptive business practice. TI is not responsible or liable for such altered documentation. Information of third parties may be subject to additional restrictions.

Resale of TI products or services with statements different from or beyond the parameters stated by TI for that product or service voids all express and any implied warranties for the associated TI product or service and is an unfair and deceptive business practice. TI is not responsible or liable for any such statements.

TI products are not authorized for use in safety-critical applications (such as life support) where a failure of the TI product would reasonably be expected to cause severe personal injury or death, unless officers of the parties have executed an agreement specifically governing such use. Buyers represent that they have all necessary expertise in the safety and regulatory ramifications of their applications, and acknowledge and agree that they are solely responsible for all legal, regulatory and safety-related requirements concerning their products and any use of TI products in such safety-critical applications, notwithstanding any applications-related information or support that may be provided by TI. Further, Buyers must fully indemnify TI and its representatives against any damages arising out of the use of TI products in such safety-critical applications.

TI products are neither designed nor intended for use in military/aerospace applications or environments unless the TI products are specifically designated by TI as military-grade or "enhanced plastic." Only products designated by TI as military-grade meet military specifications. Buyers acknowledge and agree that any such use of TI products which TI has not designated as military-grade is solely at the Buyer's risk, and that they are solely responsible for compliance with all legal and regulatory requirements in connection with such use.

TI products are neither designed nor intended for use in automotive applications or environments unless the specific TI products are designated by TI as compliant with ISO/TS 16949 requirements. Buyers acknowledge and agree that, if they use any non-designated products in automotive applications, TI will not be responsible for any failure to meet such requirements.

Following are URLs where you can obtain information on other Texas Instruments products and application solutions:

Products		Applications	
Amplifiers	amplifier.ti.com	Audio	www.ti.com/audio
Data Converters	dataconverter.ti.com	Automotive	www.ti.com/automotive
DSP	dsp.ti.com	Broadband	www.ti.com/broadband
Interface	interface.ti.com	Digital Control	www.ti.com/digitalcontrol
Logic	logic.ti.com	Military	www.ti.com/military
Power Mgmt	power.ti.com	Optical Networking	www.ti.com/opticalnetwork
Microcontrollers	microcontroller.ti.com	Security	www.ti.com/security
RFID	www.ti-rfid.com	Telephony	www.ti.com/telephony
Low Power Wireless	www.ti.com/lpw	Video & Imaging	www.ti.com/video
		Wireless	www.ti.com/wireless

Mailing Address: Texas Instruments, Post Office Box 655303, Dallas, Texas 75265
Copyright © 2007, Texas Instruments Incorporated